

CWP010_R1_TX/RX_Brief

SPST, CMOS Analog Switches with Low On-resistance

General Description

The CWP010_R1_TX and CWP010_R1_RX are 40V high voltage CMOS technology based analog switches with low on-resistance

CWP010_R1_TX consists of an analog switch, 1.8V and 3.3V voltage regulators. The two voltage regulators provide up to 50 mA current to the system.

CWP010_R1_RX consists of an analog switches, 1.8V / 3.3V voltage regulators and charge pump for battery charging. Equally with CWP010_R1_TX chip, the two regulators provide up to 50 mA current to the system.

Features

- Single supply voltage of 3.5 V ~ 4.2 V from Li-ion
- Low On-resistance
 - CWP010_R1_TX: 2.5 Ω
 - CWP010_R1_RX: 10 Ω
- Supply current
 - CWP010_R1_TX: TBD
 - CWP010_R1_RX: TBD
- Support 1.8 V / 3.3 V Voltage Regulation

Applications

Energy transmission system

Block Diagram

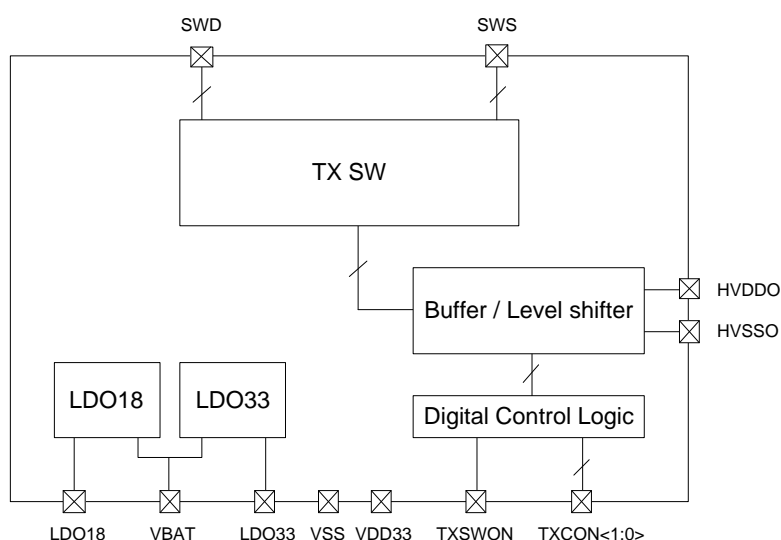


Figure 1. Functional block diagram of CWP010_R1_TX

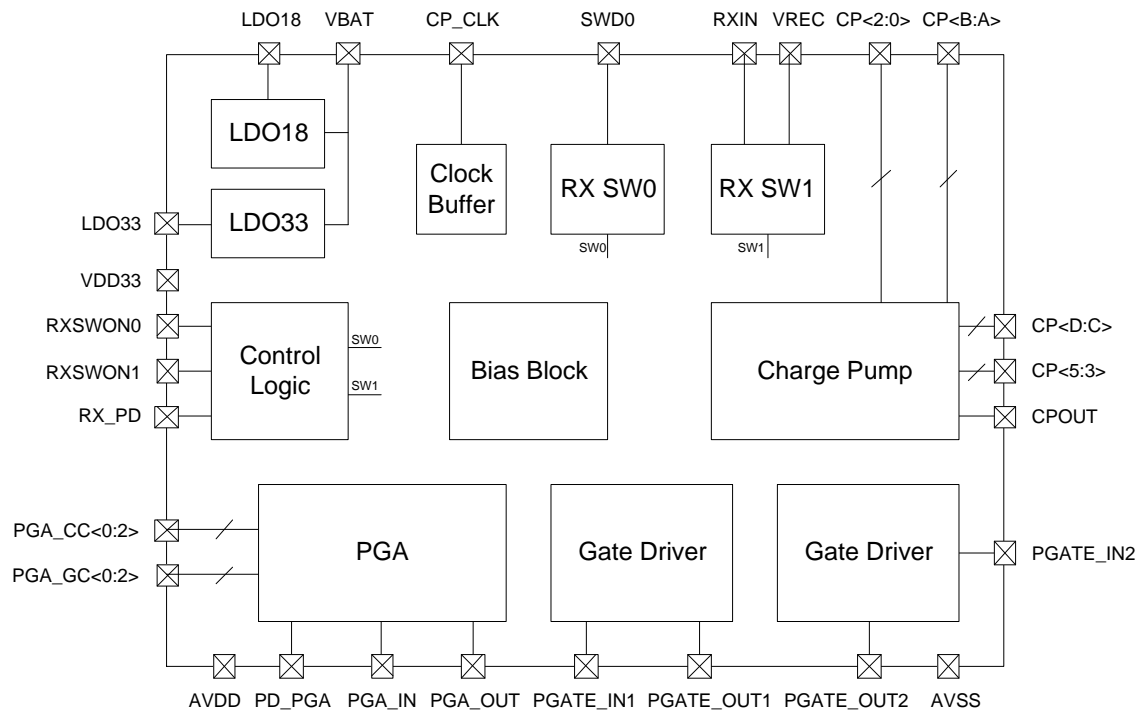


Figure 2. Functional block diagram of CWP010_R1_RX